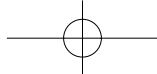


Model Number	Main Dimensions (mm)													Static load (kn)		Weight (g)
	B	W	O	H	D	F	K	J	L	A/F	A	Thread M	Permit of Angel α	Radial	Axial	
PHS 5 R/L H.	5	8	7.7	6	16	27	11	9	4	9	12	5X0.8	13	5.7	1.5	18
6	6	9	8.9	7	18	30	13	10	5	11	14	6X1.0	13	7	2	27
8F	8	12	10.4	9	22	36	16	12.5	5	14	17	8X1.0	13	11.6	3.5	46
8	8	12	10.4	9	22	36	16	12.5	5	14	17	8X1.25	13	11.6	3.5	46
10F	10	14	12.9	11	26	43	19	15	6.5	17	21	10X1.25	13	14.5	4.8	78
10	10	14	12.9	11	26	43	19	15	6.5	17	21	10X1.5	13	14.5	4.8	78
12F	12	16	15.4	12	30	50	22	17.5	6.5	19	24	12X1.25	13	17	6.5	115
12	12	16	15.4	12	30	50	22	17.5	6.5	19	24	12X1.75	13	17	6.5	115
14F	14	19	16.8	14	34	57	25	20	8	21	27	14X1.5	15	24	8.2	170
14	14	19	16.8	14	34	57	25	20	8	21	27	14X2.0	15	24	8.2	170
16F	16	21	19.3	15	38	64	27	22	8	22	33	16X1.5	15	28.5	10	230
16	16	21	19.3	15	38	64	27	22	8	22	33	16X2.0	15	28.5	10	230
18	18	23	21.8	17	42	71	31	25	10	27	36	18X1.5	15	35	12.5	320
20	20	25	24.3	18	46	77	34	27.5	10	30	40	20X1.5	15	40	15	420
22	22	28	25.8	20	50	84	37	30	12	32	43	22X1.5	15	52	18	540
25	25	31	29.6	22	56	94	42	33.5	12	48	48	24X2.0	15	60	23	750
30	30	37	34.8	26	67	110	50	40	15	56	56	30X2.0	15	81	30	1130

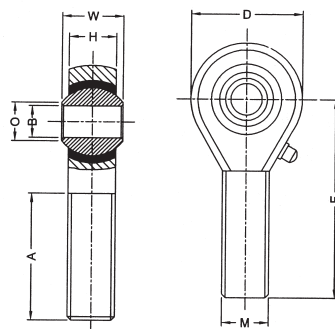
PHS 1/4 R/L H.	6.35	9	8.9	7	18	30	13	10	5	11	14	1/4-28UNF	13	7	2	27
5/15	7.94	12	10.4	9	22	36	16	12.5	5	14	17	5/16-24UNF	13	11.6	3.5	46
3/8	9.53	14	12.9	11	26	43	19	15	6.5	17	21	3/8-24UNF	13	14.5	4.8	78
1/2	12.70	16	15.4	12	30	50	22	17.5	6.5	19	24	1/2-20UNF	13	17	6.5	115
5/8	15.88	21	19.3	15	38	64	27	22	8	22	33	5/8-18UNF	15	28.5	10	230
3/4	19.05	23	21.8	17	42	71	31	25	10	27	36	3/4-16UNF	15	35	12.5	320



FBJ®

POS Series

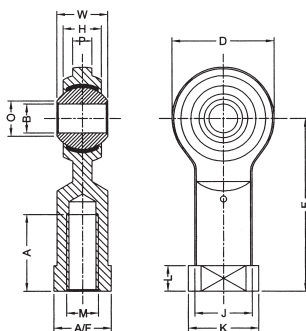
Rod End



Model Number	Main Dimensions (mm)													Static load (kn)		Weight (g)
	B	W	O	H	D	F	K	J	L	A/F	A	Thread M	Permit of Angel α	Radial	Axial	
POS 5 R/L H.	5	8	7.7	6	16	33	-	-	-	-	20	5X0.8	13	5.7	1.5	14
6	6	9	8.9	7	18	36	-	-	-	-	22	6X1.0	13	7	2	21
8F	8	12	10.4	9	22	42	-	-	-	-	25	8X1.0	13	11.6	3.5	34
8	8	12	10.4	9	22	42	-	-	-	-	25	8X1.25	13	11.6	3.5	34
10F	10	14	12.9	11	26	48	-	-	-	-	29	10X1.25	13	14.5	4.8	58
10	10	14	12.9	11	26	48	-	-	-	-	29	10X1.5	13	14.5	4.8	58
12F	12	16	15.4	12	30	54	-	-	-	-	33	12X1.25	13	17	6.5	92
12	12	16	15.4	12	30	54	-	-	-	-	33	12X1.75	13	17	6.5	92
14F	14	19	16.8	14	34	60	-	-	-	-	36	14X1.5	15	24	8.2	135
14	14	19	16.8	14	34	60	-	-	-	-	36	14X2.0	15	24	8.2	135
16F	16	21	19.3	15	38	66	-	-	-	-	40	16X1.5	15	28.5	10	205
16	16	21	19.3	15	38	66	-	-	-	-	40	16X2.0	15	28.5	10	205
18	18	23	21.8	17	42	72	-	-	-	-	44	18X1.5	15	35	12.5	285
20	20	25	24.3	18	46	78	-	-	-	-	47	20X1.5	15	40	15	370
22	22	28	25.8	20	50	84	-	-	-	-	51	22X1.5	15	52	18	475
25	25	31	29.6	22	56	94	-	-	-	-	57	24X2.0	15	60	23	650
30	30	37	34.8	26	67	110	-	-	-	-	66	30X2.0	15	81	30	1070

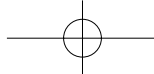
POS 1/4 R/L H.	6.35	9	8.9	7	18	36	-	-	-	-	22	1/4-28UNF	13	7	2	46
5/16	7.94	12	10.4	9	22	42	-	-	-	-	25	5/16-24UNF	13	11.6	3.5	34
3/8	9.53	14	12.9	11	26	48	-	-	-	-	29	3/8-24UNF	13	14.5	4.8	58
1/2	12.70	16	15.4	12	30	54	-	-	-	-	33	1/2-20UNF	13	17	5.0	92
5/8	15.88	21	19.3	15	38	66	-	-	-	-	40	5/8-18UNF	15	28.5	10	205
3/4	19.05	23	21.8	17	42	72	-	-	-	-	44	3/4-16UNF	15	35	12.5	285

Rod End



Model Number	Main Dimensions (mm)													Static load (kn)		Weight (g)
	B	W	O	H	D	F	K	J	P	A/F	A	Thread M	Permit of Angel α	Radial	Axial	
NHS 5 R/L H.	5	8	7.7	5.5	16	27	11	9	3	9	12	5X0.8	13	5.7	1.5	16
6	6	9	8.9	6	18	30	13	10	3.3	11	14	6X1.0	13	7	2	24
8F	8	12	10.4	8	22	36	16	12.5	4.5	14	17	8X1.0	13	11.6	3.5	41
8	8	12	10.4	8	22	36	16	12.5	4.5	14	17	8X1.25	13	11.6	3.5	41
10F	10	14	12.9	10	26	43	19	15	5.5	17	21	10X1.25	13	14.5	4.8	70
10	10	14	12.9	10	26	43	19	15	5.5	17	21	10X1.5	13	14.5	4.8	70
12F	12	16	15.4	11	30	50	22	17.5	6	19	24	12X1.25	13	17	6.5	104
12	12	16	15.4	11	30	50	22	17.5	6	19	24	12X1.75	13	17	6.5	104
14F	14	19	16.8	12	34	57	25	20	7	21	27	14X1.5	15	24	8.2	158
14	14	19	16.8	12	34	57	25	20	7	21	27	14X2.0	15	24	8.2	158
16F	16	21	19.3	13	38	64	27	22	7.5	22	33	16X1.5	15	28.5	10	258
16	16	21	19.3	13	38	64	27	22	7.5	22	33	16X2.0	15	28.5	10	200
18	18	23	21.8	15	42	71	31	25	8.5	27	36	18X1.5	15	35	12.5	288
20	20	25	24.3	16	46	77	34	27.5	9	30	40	20X1.5	15	40	15	372
22	22	28	25.8	18	50	84	37	30	10	32	43	22X1.5	15	52	18	475
25	25	31	29.6	20	56	94	42	33.5	12	36	48	24X2.0	15	60	23	680
30	30	37	34.8	24	67	110	50	40	15	41	56	30X2.0	15	81	30	1020

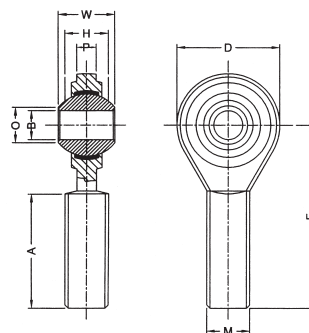
NHS 1/4 R/L H.	6.35	9	8.9	6	18	30	13	10	3.3	11	14	1/4-28UNF	13	7	2	24
5/16	7.94	12	10.4	8	22	36	16	12.5	4.5	14	17	5/16-24UNF	13	11.6	3.5	41
3/8	9.53	14	12.9	10	26	43	19	15	5.5	17	21	3/8-24UNF	13	14.5	4.8	70
1/2	12.70	16	15.4	11	30	50	22	17.5	6	19	24	1/2-20UNF	13	17	6.5	104
5/8	15.88	21	19.3	13	38	64	27	22	7.5	22	33	5/8-18UNF	15	28.5	10	200
3/4	19.05	23	21.8	15	42	71	31	25	8.5	27	36	3/4-16UNF	15	35	12.5	288



FBJ®

NOS Series

Rod End



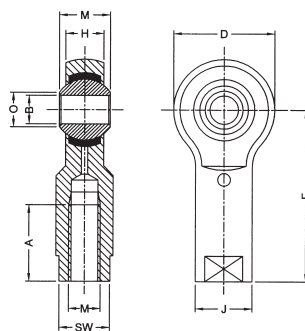
Model Number	Main Dimensions (mm)													Static load (kn)		Weight (g)
	B	W	O	H	D	F	K	P	L	A/F	A	Thread M	Permit of Angel α	Radial	Axial	
NOS 5 R/L H.	5	8	7.7	5.5	16	33	-	3	-	-	20	5X0.8	13	5.7	1.5	13
6	6	9	8.9	6	18	36	-	3.3	-	-	22	6X1.0	13	7	2	17
8F	8	12	10.4	8	22	42	-	4.5	-	-	25	8X1.0	13	11.6	3.5	33
8	8	12	10.4	8	22	42	-	4.5	-	-	25	8X1.25	13	11.6	3.5	33
10F	10	14	12.9	10	26	48	-	5.5	-	-	29	10X1.25	13	14.5	4.8	54
10	10	14	12.9	10	26	48	-	5.5	-	-	29	10X1.5	13	14.5	4.8	54
12F	12	16	15.4	11	30	54	-	6	-	-	33	12X1.25	13	17	6.5	85
12	12	16	15.4	11	30	54	-	6	-	-	33	12X1.75	13	17	6.5	85
14F	14	19	16.8	12	34	60	-	7	-	-	36	14X1.5	15	24	8.2	129
14	14	19	16.8	12	34	60	-	7	-	-	36	14X2.0	15	24	8.2	129
16F	16	21	19.3	13	38	66	-	7.5	-	-	40	16X1.5	15	28.5	10	181
16	16	21	19.3	13	38	66	-	7.5	-	-	40	16X2.0	15	28.5	10	181
18	18	23	21.8	15	42	72	-	8.5	-	-	44	18X1.5	15	35	12.5	250
20	20	25	24.3	16	46	78	-	9	-	-	47	20X1.5	15	40	15	333
22	22	28	25.8	18	50	84	-	10	-	-	51	22X1.5	15	52	18	430
25	25	31	29.6	20	56	94	-	12	-	-	57	24X12.0	15	60	23	610
30	30	37	34.8	24	67	110	-	13	-	-	66	30X2.0	15	81	30	990

NOS 1/4 R/L H.	6.35	9	8.9	6	18	36	-	3.3	-	-	22	1/4-28UNF	13	7	2	17
5/16	7.94	12	10.4	8	22	42	-	4.5	-	-	25	5/16-24UNF	13	11.6	3.5	33
3/8	9.53	14	12.9	10	26	48	-	5.5	-	-	29	3/8-24UNF	13	14.5	4.8	54
1/2	12.70	16	15.4	11	30	54	-	6	-	-	33	1/2-20UNF	13	17	6.5	85
5/8	15.88	21	19.3	13	38	66	-	7.5	-	-	40	5/8-18UNF	15	28.5	10	181
3/4	19.05	23	21	15	42	72	-	8.5	-	-	44	3/4-16UNF	15	35	12.5	250

Rod End

Female Rod End

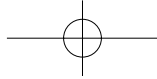
SI-E Series



Model Number	Main Dimensions (mm)													Static load (kn)		Weight (g)
	B	W	O	H	D	F	K	J	L	SW	A	Thread M	Permit of Angel α	Radial	Axial	
SI 6E R/L H.	6	6	9	4	20	30	-	10	-	9	12	6X1.0	12	9	3	17
8E-F	8	8	10	5	23	36	-	13	-	11	16	8X1.0	12	15	5	31
8E	8	8	10	5	23	36	-	13	-	11	16	8X1.25	12	15	5	31
10E-F	10	9	12	6	28	43	-	16	-	14	20	10X1.25	14	20	7	54
10E	10	9	12	6	28	43	-	16	-	14	20	10X1.5	14	20	7	54
12F-F	12	10	15	7	32	50	-	19	-	17	22	12X1.25	14	25	8	86
12E	12	10	15	7	32	50	-	19	-	17	22	12X1.75	14	25	8	86
15ES-F	15	12	19	9	38	61	-	22	-	19	25	14X1.5	12	35	12	142
15ES	15	12	19	9	38	61	-	22	-	19	25	14X2.0	12	35	12	142
17ES-F	17	14	21	10	44	67	-	25	-	22	28	16X1.5	12	42	14	208
17ES	17	14	21	10	44	67	-	25	-	22	28	16X2.0	12	42	14	208
20ES	20	16	25	12	51	77	-	28	-	24	33	20X1.5	12	55	18	290
25ES	25	20	31	16	62	94	-	35	-	30	42	24X2.0	12	78	26	573

Rod End

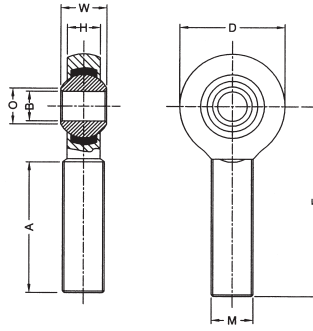
SI 1/4 E R/L H.	6.35	6	9	4	20	30	-	10	-	9	12	1/4-28UNF	12	9	3	17
5/16E	7.94	8	10	5	23	36	-	13	-	11	16	5/16-24UNF	12	15	5	31
3/8E	9.53	9	12	6	28	43	-	16	-	14	20	3/8-24UNF	14	20	7	54
1/2E	12.70	10	15	7	32	50	-	19	-	17	22	1/2-20UNF	14	25	8	86
5/8ES	15.88	14	21	10	44	67	-	25	-	22	28	5/8-18UNF	12	42	14	208
3/4ES	19.05	16	25	12	51	77	-	28	-	24	33	3/4-16UNF	12	55	18	290



FBJ®

SA-E Series

Male Rod End



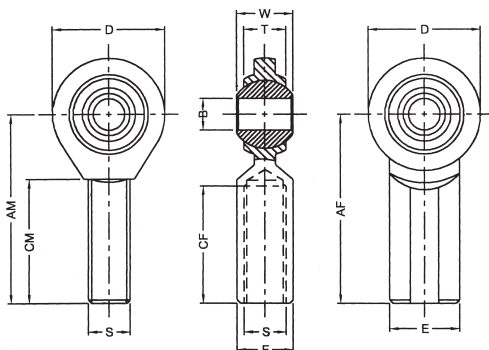
Model Number	Main Dimensions (mm)													Static load (kn)		Weight (g)
	B	W	O	H	D	F	K	J	L	SW	A	Thread M	Permit of Angel α	Radial	Axial	
SI 6E R/L H.	6	6	9	4	20	36	-	-	-	-	22	6X1.0	12	9	3	14
8E-F	8	8	10	5	23	42	-	-	-	-	25	8X1.0	12	15	5	24
8E	8	8	10	5	23	42	-	-	-	-	25	8X1.25	12	15	5	24
10E-F	10	9	12	6	28	48	-	-	-	-	29	10X1.25	14	20	7	41
10E	10	9	12	6	28	48	-	-	-	-	29	10X1.5	14	20	7	41
12F-F	12	10	15	7	32	54	-	-	-	-	33	12X1.25	14	25	8	67
12E	12	10	15	7	32	54	-	-	-	-	33	12X1.75	14	25	8	67
15ES-F	15	12	19	9	38	63	-	-	-	-	36	14X1.5	12	35	12	110
15ES	15	12	19	9	38	63	-	-	-	-	36	14X2.0	12	35	12	110
17ES-F	17	14	21	10	44	69	-	-	-	-	40	16X1.5	12	42	14	163
17ES	17	14	21	10	44	69	-	-	-	-	40	16X2.0	12	42	14	163
20ES	20	16	25	12	51	78	-	-	-	-	47	20X1.5	12	55	18	270
25ES	25	20	31	16	62	94	-	-	-	-	57	24X2.0	12	78	26	508

SA 1/4 E R/L H.	6.35	6	9	4	20	36	-	-	-	-	22	1/4-28UNF	12	9	3	14
5/16E	7.94	8	10	5	23	42	-	-	-	-	25	5/16-24UNF	12	15	5	24
3/8E	9.53	9	12	6	28	48	-	-	-	-	29	3/8-24UNF	14	20	7	41
1/2E	12.70	10	15	7	32	54	-	-	-	-	33	1/2-20UNF	14	25	8	67
5/8ES	15.88	14	21	10	44	69	-	-	-	-	40	5/8-18UNF	12	42	14	163
3/4ES	19.05	16	25	12	51	78	-	-	-	-	47	3/4-16UNF	12	55	18	270

Rod End

Stainless Steel Rod End

LM Series
LF Series



Inch Size

Model Number	Thread S	B	D	W	T	Ball Dia. ϕ	AM	AF	CM	CF	E ϕ	F	Permit of Angel α	Static load (LBS)	Weight (LBS)
LM3	UNF 3/16X10.32	0.1875	0.525	0.312	0.204	0.437	1.250	1.032	0.750	0.500	0.405	0.312	20°	1200	0.03
LF3															0.04
LM4	1/4-28UNF (M6X1)	0.2500 (M6)	0.760	0.375	0.250	0.500	1.562	1.242	1.000	0.625	0.468	0.375	20°	2000	0.05
LF4															0.06
LM5	5/16-24UNF (M8X12.5)	0.3125 (M8)	0.875	0.437	0.312	0.625	1.875	1.375	1.250	0.625	0.500	0.437	22°	3000	0.07
LF5															0.08
LM6	3/8-24UNF (M10X1.5)	0.375 (M10)	1.000	0.500	0.359	0.710	1.939	1.625	1.250	0.750	0.687	0.500	22°	4000	0.12
LF6															0.13
LM7	7/16-20UNF	0.4375	1.125	0.562	0.408	0.790	2.125	1.812	1.375	0.875	0.750	0.625	21°	5000	0.16
LF7															0.18
LM8	1/2-20UNF (M12X1.75)	0.5000 (M12)	1.1312	0.625	0.453	0.875	2.436	2.125	1.500	1.000	0.875	0.750	20°	6000	0.24
LF8															0.29
LM10	5/8-18UNF (M16X2.0)	0.625 (M16)	1.500	0.750	0.484	1.125	2.625	2.500	1.625	1.250	1.000	0.875	26°	8000	0.36
LF10															0.43
LM12	3/4-16UNF	0.7500	1.750	0.875	0.593	1.250	2.875	2.375	1.750	1.375	1.125	1.000	21°	10000	0.57
LF12															0.65

Rod End